

AirGoggle™ NVC210/NVC210WD Professional Day/Night IP Video Camera

The AirGoggle™ NVC210 and NVC210WD are all-in-one high-performance professional fixed day and night IP surveillance cameras. Both come standard with an auto-iris vari-focal lens. The NVC210 series camera delivers crisp full D1 high quality MPEG-4 full motion real-time video across an IP network. The convenient option of Power over Ethernet enables power and data over a single network cable. The NVC210 and NVC210WD network cameras have a compact aluminum bodies for installation onto vertical or horizontal mounting surface. When used for outdoor surveillance, a wide selection of complementary camera housing accessories and lenses are available. High performance and reliable design, along with a host of convenient features, makes the AirGoggle™ NVC210 series cameras ideal for indoor or outdoor professional security surveillance applications.



The NVC210WD model with wide dynamic range has an added benefit of digital pixel technology. Wide dynamic range tackles severe backlight and glare issues by dynamically compensating contrast to deliver uniform steady clear video images. The digital pixel technology brings true digital performance throughout the entire real-time encoding process from the moment an object is captured through the lens to the encoded images across the network. The synergy of these two enhancement technologies brings forth the best signal to noise and low light sensitivity in its class for the most demanding video surveillance applications.

Key Features

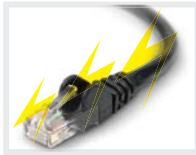
Wide Dynamic Video Technology

Available with NVC210WD to ensure details of high contrast scenes to appear clear with accurate color in both bright and dark areas simultaneously.



Power over Ethernet (PoE)

PoE eliminates power connection at the camera location. The convenience of running a single network cable eliminates the need for power sources near the camera.



IR Sensitive True Day and Night Functionality

Removable infrared-cut filter provides color video when there is sufficient light and black & white video in dark environments. The high performance image sensor is IR sensitive for pitch black operation when used with an infrared illuminator.



High Quality Full Motion IP Video Codec

Stream full motion D1 720 x 480 live color video images across a local or wide area network. Network connected computers can monitor, record, and playback security video with ease.

Multi-Region Motion Detection

Increase motion sensitivity in multiple regions you specify or mask areas where motion is allowed for precise motion detection control.

MPEG4 + JPEG Streaming

Dual Streaming for mobile WAP network.

Embedded Streaming Web Server

The suite of function from the embedded streaming web server makes accessing real-time video easy from any Internet Explorer enabled computer.

Event Driven Real-Time Notification

The integrated sensor input, alarm output, and video motion detection provides actionable event trigger capable of sending a video clip via email or FTP and turn on/off external relays.

Synchronized Audio/Video and Two-Way Audio Communication

Audio line in and line out interface(s) with software selectable audio features provide synchronized audio surveillance and announcement capabilities from the monitoring station.

Full Featured 64 Channel Professional Network Video Monitoring and Recording Software

Included with this product purchase is a licensed copy of 64 channel full featured network video monitoring and recording software for Windows PC. User will be able to manage alarms, trigger relays, enable two-way audio communication, schedule recording, setup alarm recording, playback pre-recorded video, user selectable video storage location, and much more.

Applications



Airports

Regardless if it is inside or outside of an airport, Inscape Data offers total wired or wireless IP based video security solutions that will save on your installation cost and make your monitoring more efficient.



Metropolitan Streets

Inscape Data's wired and wireless IP based video security solutions will save on your installation cost and make the streets and metropolitan safer.



Buildings

Inscape Data's wired and wireless IP based video security solutions will save on your installation cost and make your buildings more secure.

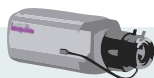


School Campus

Regardless if it is inside classrooms or on a campus, Inscape Data's wired and wireless IP based video security solutions will save on your installation cost and make your monitoring easier.

System Configurations

Bi-directional audio



NVC210/NVC210WD

Audio Output
Allows remote audio announcements via the local loudspeaker.

Audio Input
Allows microphone input for audio surveillance.

Sensor Input
Sensor devices like door switches or audio sensor can be used to trigger alarm recording or send notifications.

Relay Output
Use the camera to turn on external devices, i.e. alarms or lights.

Surveillance and Recording PC

NVM1000 software allows full management of multiple network cameras including scheduled recording, real-time monitoring and video playback.



UPS Backup

An uninterrupted power supply is ideal to use with network video cameras. It provides continued surveillance during power outages.

Monitoring PC

Monitoring station allows surveillance by multiple personnel and departments.



INTERNET

IP Network

NVC210

NVC210WD

Camera			
Image Sensor	1/3" Sony Super HAD CCD		1/3" Pixim CMOS CB100-TDN3
Total Image	NTSC 811(H) x 508(V) 410K		742(H) x 552(V) = 409584
Pixels	PAL 795(H) x 596(V) 470K		
Number Of	NTSC 768(H) x 494(V) 380K		
Effective Pixels	PAL 752(H) x 582 (V) 440K		720(H) x 540(V) = 388800
Horizontal resolution	500 TV Lines		480 TV Lines
Lens	DC-Iris Varifocal F1.4 / 3.5-8mm		
Horizontal Field of View	80 Degrees to 36 Degrees		
Minimum Object Distance	0.1 meter		
Lens Aperture	1.4		
Lens Mount	C/CS		
Lens Iris Support	DC Iris or ELC		
DC Level Adjustment	32 Level		
Sharpness	None		15 Level
Day & Night modes	ON / OFF, Auto		Auto
Digital Slow Shutter	ON / OFF		None
Minimum Illumination	0.1 Lux / F=1.4 (AGC On)		
Luminance S/N Ratio	More than 48dB(AGC Off)		
Video Control	Contrast, Brightness, Saturation, Hue		None
Digital Zoom	ON / OFF		None
Auto Gain Control	ON / OFF		None
BLC	ON / OFF		None
Flickerless	ON / OFF		None
180 Degrees Video Rotation	None	Enable / Disable	
OSD Time Display	None		ON / OFF 4 Position
Image (NTSC/PAL)			
Compression Format	MPEG-4 Up to 30/25fps at 4CIF (704x480) resolution / JPEG for WAP up to 4fps		
Resolution	D1(720x480), CIF (352x240), QCIF (176 x 144) Max 720 x 480 (NTSC) 768x575 (PAL)		
Maximum Frame Rate	Up to 30/25 at all resolutions (Available: 1, 4, 8, 15, 20, 30)		
Video Encoding Rate	32kbps ~ 3000kbps		
Audio			
Audio Compression	Synchronized ADPCM Enable/Disable (32kbps) Bi-Directional using PCM		
Network			
Protocols	HTTP, TCP/IP, RTSP, UDP, IGMP, SMTP, FTP, DHCP, ARP, DNS, NTP, PPPoE		
Other network settings	Clone MAC address, HTTP/RTSP Port change		
Maximum User Access @ Video Rate	40@160kbps, 14@512kbps, 7@1000kbps, 2@3000kbps		
Security	Multiple user Viewing Authentication, IP Address filtering, 128bit encrypted data stream		
Alarm and Event Management	Event trigger email, FTP or Recording Based on Video Motion Detection or External Sensor Input		
Embedded Web Server	Instant access to live streaming video & full p/t/z functionality via Internet Explorer		
Data Transmission	Unicast		
Dynamic DNS Management	Supported via free service at mgmt.airgoggle.com		
Interface			
Network	10 BaseT / 100BaseTx (RJ45)		
Serial	RS-485 multiprotocol support for P/T/Z (Pelco D driver loaded)		
I/O Port(s)	1 sensor input, 1 relay output		
Audio Line Output	1 port 3.5 mm 3 conductor Mini-jack (tip, ring, sleeve) 0.886Vp-p		
Audio Line Input	1 port 3.5 mm 3 conductor Mini-jack (tip, ring, sleeve) 1.6Vp-p		
Composite Video Out	Not Available		Composite (1Vp-p), 75 Ohm
Power Input	2.5 mm Barrel connector, Center Pin Positive		
Hardware Reset	Reset button		
Minimum System Requirements			
Operating System	Microsoft Windows 2000/XP/2003		
Web Viewer	CPU: Intel Pentium IV 1.8GHz/512MB		
Network Video Recorder Software-16 Ch.	CPU: Intel Pentium IV 3GHz/512MB		
Browser	Microsoft Internet Explorer V5.0 or Higher		
Environmental			
Construction	Body(Aluminum)		
Camera Dimensions (W x H x D)	64 x 57 x 131 mm (2.5" x 2.3" x 5.2" Inches)		64 x 57 x 137 mm (2.5" x 2.3" x 5.4")
Lens Physical Dimension	32 x 45.8 x 51 mm		
Weight	400g (0.8 lbs)		430g (0.9lbs)
Storage Temperature	-20°C~70°C (-4°F ~149°F)		
Operating Temperature	-20°C~45°C (-4°F~140°F)		
Operating Humidity	8 ~80% RH Non-Condensing		
Outdoor Usage	Optional Camera Housing with Heater and Blower		
Power			
Power Consumption	8W		
Power Supply (PoE)	12VDC Proprietary		48VDC / 802.3af
Power Supply (Local)	7VDC ~ 23VDC (Recommended 12VDC)		
Compliance	FCC, CE, ROHS		

Package Contents

1. Camera Body
2. Lens Auto-Iris Varifocal Lens 3.5 ~ 8mm (CS Mount)
3. Lens Adapter C to CS Mount
4. DC Iris Lens Connector Kit
5. Back Focus Adjustment Wrench
6. Power Supply 12VDC 1.5A
7. Swivel Arm Surface Mount Bracket with screws
8. Product CDROM

Compatibility

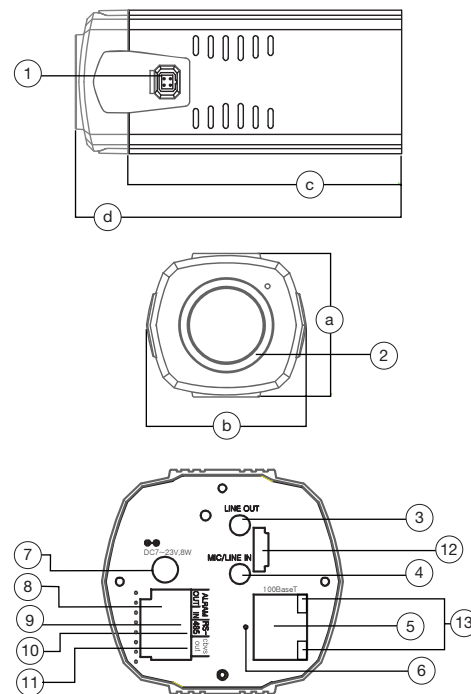


Contact Information



United States Headquarters
 1611 South Main Street
 Milpitas, CA 95035, U.S.A.
 Customer Service and Orders:
 Phone: +1.408.935.8500
 Toll Free: 1.888.267.4507
 Fax: +1.408.935.8900
 sales@inscapedata.com

Asia Headquarters
 Inscape International Co., Ltd
 34F-1, No. 170, Jingping Road
 Zhonghe City, Taipei County, 235, Taiwan, R.O.C.
 Phone: +886.2.2949.4141
 Fax: +886.2.2949.2684



Camera Parts

- | | |
|---------------------------|-------------------------------------|
| 1. Auto Iris Connector | 9. Alarm / Sensor Input Connector |
| 2. CS Lens mount ring | 10. RS-485 connector |
| 3. Audio Line Out | 11. Composite Video Out |
| 4. Audio / Mic Lin In | 12. Not Used |
| 5. RJ45 Jack | 13. Network Link/Activity Indicator |
| 6. Hardware reset pin | |
| 7. Power connector | |
| 8. Relay Output Connector | |

Camera Dimensions

NVC210	NVC210WD
a. 57.6mm	a. 57.6mm
b. 64.0mm	b. 64.0mm
c. 109.5mm	c. 109.5mm
d. 130.9mm	d. 137.0mm

Video Accessories

- CHB1300**
All Weather
Cable Management
Heater & Blower
-30C to +60C
Camera Housing (CH100HB)
Housing Bracket (CB300)
- CHB2200**
All Weather
Standard Encloser
Heater & Blower
-30C to +60C
Camera Housing (CH200HB)
Housing Bracket (CB200)
- CHB3100**
All Weather (IP66)
Extended Length for Optional
Camera Lens
Heater & Blower
-40C to +60C
Camera Housing (CH300HB)
Housing Bracket (CB100)
*Optional Wiper
- ID20001**
48VDC Integrated PoE Power
Adapter for **NVC210WD**
- NCP100**
12VDC PoE Injector for **NVC210**

To get more information on this product please visit
www.inscapedata.com/nvc210.htm